

Mercrotary

**MERCURY-FREE
VERSION
AVAILABLE**



This is a unipolar mercury manifold with or without a through-hole suitable for high amperage and low rotations per minute. It is a Celco Profil product that completes the Mercotac® product range. Available ecological version that use Galinstan instead of mercury.



Technical specifications:

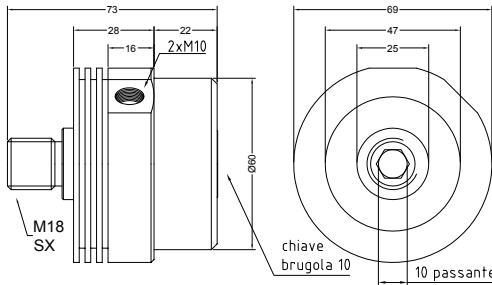
- Contact resistance less than 1mΩ
- Maximum reliability of the product.
- With through hole
- Standard degree of protection: IP00

Applicatons:

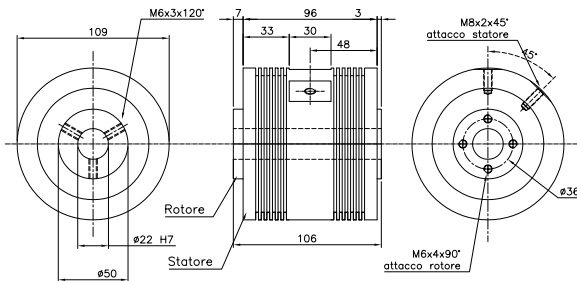
- Industrial welding machines
- Robotics
- Galvanic sector

Model	Ways N°	Current Amp at 240VAC	Max RPM	Rotation torque Gr-cm	Diam through hole mm
MY250	1	250	300	20000	40
MY254	1	250	300	9000	22
MY255	1	250	300	1000	12
MY503	1	500	300	1500	12
MY504	1	500	300	1500	8
MY1000	1	1000	300	30000	30

MY250



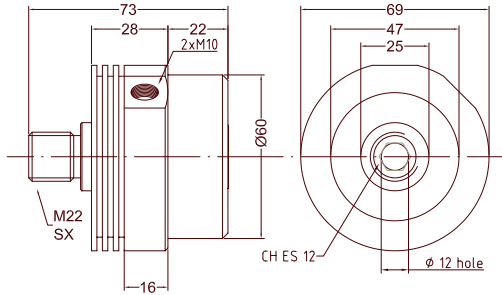
MY254



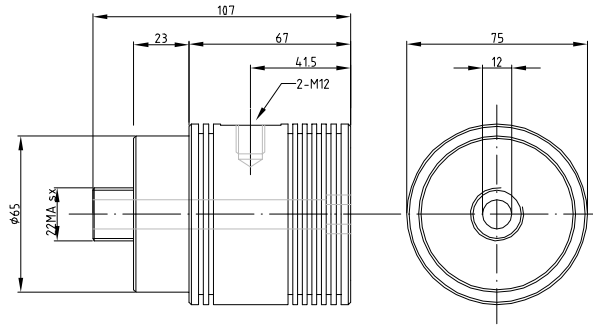
CELCO PROFIL s.r.l. Unipersonale

Via dell'Artigianato, 4 30030 Vigonovo (Ve) Italy Tel. +39 049 9800211
www.celcoprofil.com celco@celcoprofil.com

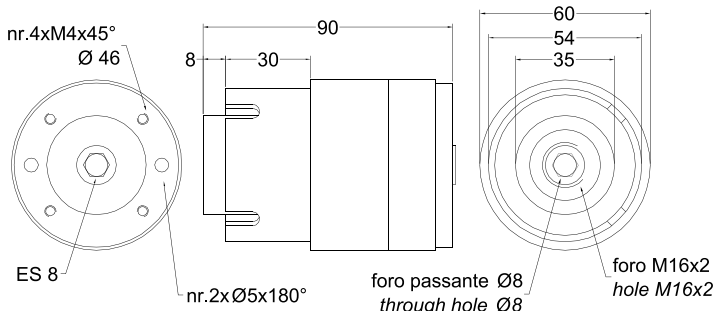
MY255



MY503



MY504



MY1000

