

Electric rotary joint, with modular slip ring for the transmission of power ratings, auxiliaries, digital and analog signals.

Without through hole

With stainless steel cover, diameter of 114 mm

Technical specifications:

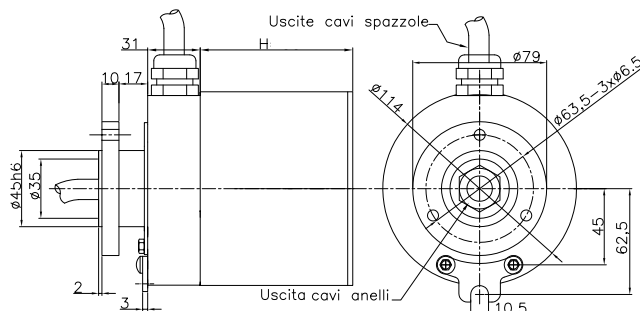
- Insulation voltage up to 600V
- Rings: brass
- Rings cable output: axial
- Brushes cable output: radial
- Ring-brush contact resistance: < 20 moh
- Standard degree of protection IP67



Applications:

- Food machinery
- Bottling

Model	Rings N°	Power Rings	Auxiliary rings	RPM max
XPR114-(4p+2s)	6	4x20Amp	2x4Amp	300
XPR114-10p	10	10x20Amp	-	300
XPR114-12p	12	12x20Amp	-	300
XPR114-(5p+6s)C4	11	5x20Amp	6x4Amp	250
XPR114-(5p+12s)C2	17	5x20Amp	12x2Amp	250
XPR114-(5p+12s)C4	17	5x20Amp	12x4Amp	250
XPR114-(5p+18s)C4	23	5x20Amp	18x4Amp	250
XPR114-(5p+24s)C2	29	5x20Amp	24x2Amp	250
XPR114-(5p+36s)C2	41	5x20Amp	36x2Amp	250
XPR114-(10p+6s)C4	16	10x20Amp	6x4Amp	250
XPR114-(10p+12s)C2	22	10x20Amp	12x2Amp	250
XPR114-(10p+12s)C4	22	10x20Amp	12x4Amp	250
XPR114-(10p+18s)C2	28	10x20Amp	18x2Amp	250
XPR114-(10p+24s)C2	34	10x20Amp	24x2Amp	250
XPR114-(10p+36s)C2	46	10x20Amp	36x2Amp	250



CELCO PROFIL s.r.l. Unipersonale

Via dell'Artigianato, 4 30030 Vigonovo (Ve) Italy Tel. +39 049 9800211
 www.celcprofil.com celco@celcprofil.com