

XPR113

CELCO® PROFIL
EVERYWHERE CONNECTIONS



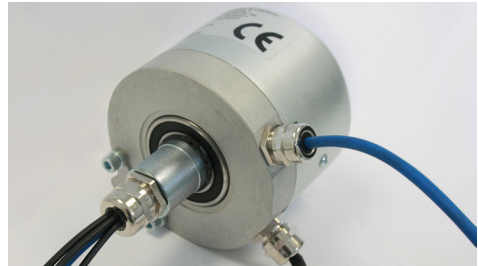
Electric rotary joint with slip ring, for the transmission on 360° of power ratings, auxiliaries, digital and analog signals.

Without through hole

With aluminium cover, diameter of 110mm

Technical specifications:

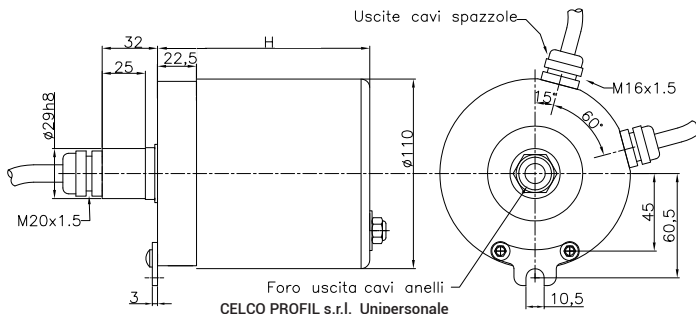
- Insulation voltage up to 600V
- Rings: brass
- Rings output cable: axials
- Brushes output cable: radial
- Standard degree of protection IP54
- Ring-brush contact resistance: < 20 mohm



Applications:

- Rotating tables
- Lighting signs
- Heated rollers.

| Model | Rings N° | Power Rings | Auxiliary rings | RPM max |
|--------------------|----------|-------------|-----------------|---------|
| XPR113-(4p+2s) | 6 | 4x20Amp | 2x4Amp | 300 |
| XPR113-10p | 10 | 10x20Amp | - | 300 |
| XPR113-12p | 12 | 12x20Amp | - | 300 |
| XPR113-(5p+6s)C4 | 11 | 5x20Amp | 6x4Amp | 250 |
| XPR113-(5p+12s)C2 | 17 | 5x20Amp | 12x2Amp | 250 |
| XPR113-(5p+12s)C4 | 17 | 5x20Amp | 12x4Amp | 250 |
| XPR113-(5p+18s)C4 | 23 | 5x20Amp | 18x4Amp | 250 |
| XPR113-(5p+24s)C2 | 29 | 5x20Amp | 24x2Amp | 250 |
| XPR113-(5p+36s)C2 | 41 | 5x20Amp | 36x2Amp | 250 |
| XPR113-(10p+6s)C4 | 16 | 10x20Amp | 6x4Amp | 250 |
| XPR113-(10p+12s)C2 | 22 | 10x20Amp | 12x2Amp | 250 |
| XPR113-(10p+12s)C4 | 22 | 10x20Amp | 12x4Amp | 250 |
| XPR113-(10p+18s)C4 | 28 | 10x20Amp | 18x4Amp | 250 |
| XPR113-(10p+24s)C2 | 34 | 10x20Amp | 24x2Amp | 250 |
| XPR113-(10p+36s)C2 | 46 | 10x20Amp | 36x2Amp | 250 |



CELCO PROFIL s.r.l. Unipersonale

Via dell'Artigianato, 4 30030 Vigonovo (Ve) Italy Tel. +39 049 9800211
www.celcoprofil.com celco@celcoprofil.com