



ENSURES YOUR CONNECTION IN ALL ROTATING APPLICATIONS



CELCO® PROFIL
EVERYWHERE CONNECTIONS



MERCURY ROTARY JOINTS

Mercotac® are a type of rotating manifolds that exploit the conductivity of mercury to transfer signals and power. The connection is through a tank of liquid metal (Mercury) linked to the contact at a molecular level, which ensures low resistance and a stable connection between contacts throughout the rotation, without the wear of the components.



Technical specifications:

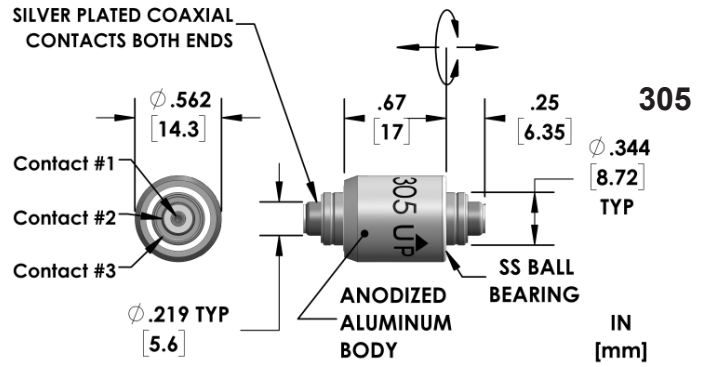
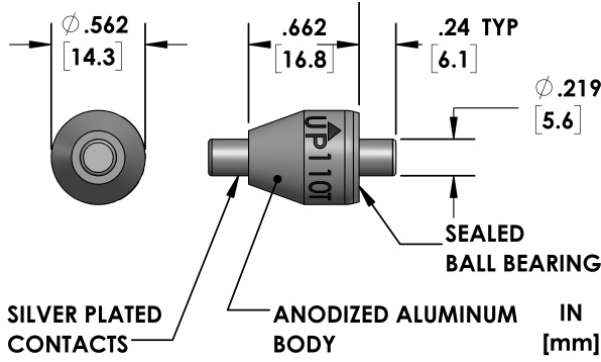
- Signal transfer with very low electrical interferences
- Resistance below 1 mΩ
- Maximum compactness resulting in reduced dimensions thanks to its unique design
- No maintenance (typically necessary in the case of traditional manifolds)
- Efficiency over the entire life of the product without signal degeneration
- Airtightness
- Mechanical durability guaranteed by the ball bearing
- Standard degree of protection: IP00

Model	Conductors N°	Current rating 240VAC	Voltage rate V(AC/DC)	Max RPM	Rotation torque Gr-cm
110/-T	1	10	-	3600	35
110-L/TL	1	10	-	1200	10
205	2	4	0-250	2000	75
205-L	2	4	0-250	1200	20
205-H	2	4	0-250	3600	35
305	3	4	0-250	1800	100
305-L	3	4	0-250	1000	100
230	2	30	0-250	1800	200
330	3	30	0-250	1200	300
331	3	aus 2x4 pot 1x30	0-250	1800	200
430	4	aus 2x4 pot 2x30	0-250	1200	400
435	4	30	0-250	300	850
630	6	aus 2x4 pot 4x30	0-250	300	700
830	8	aus 2x4 pot 6x30	0-250	200	1000
1250	1	250	-	1200	250

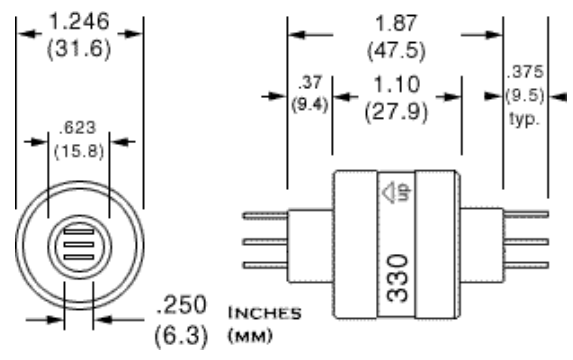
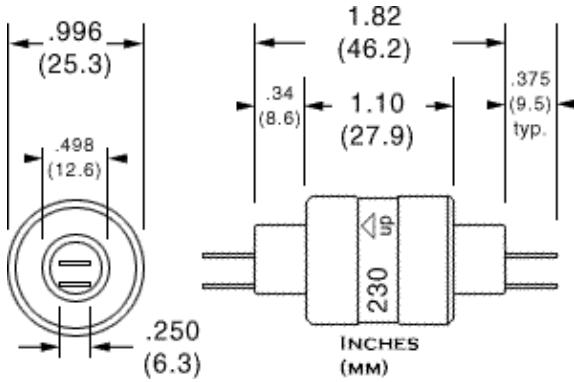




110
205

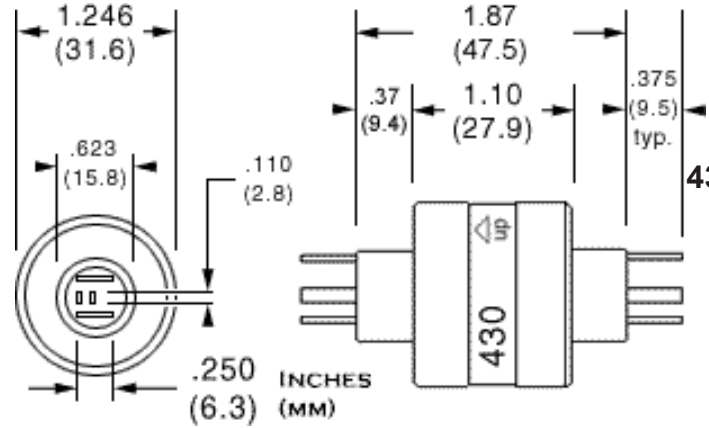
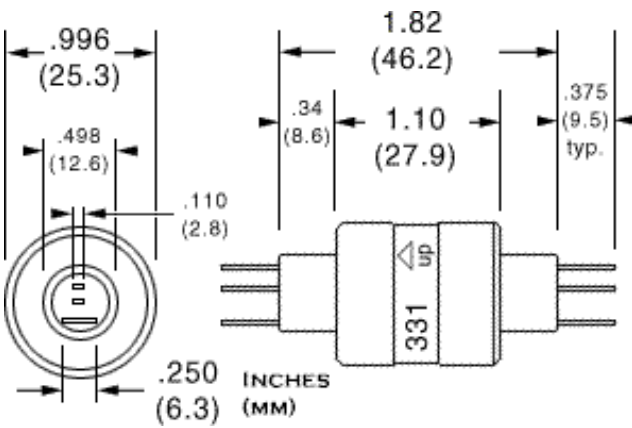


230



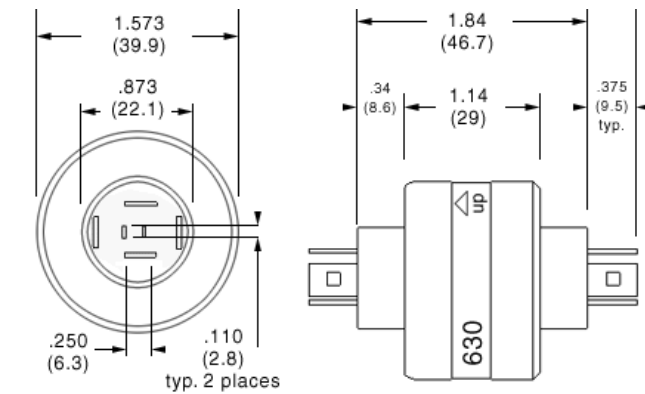
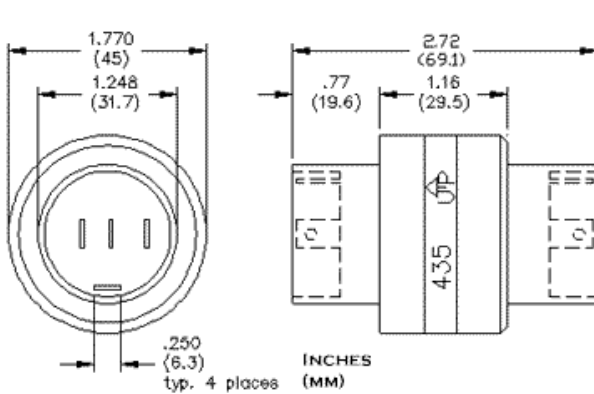
330

331



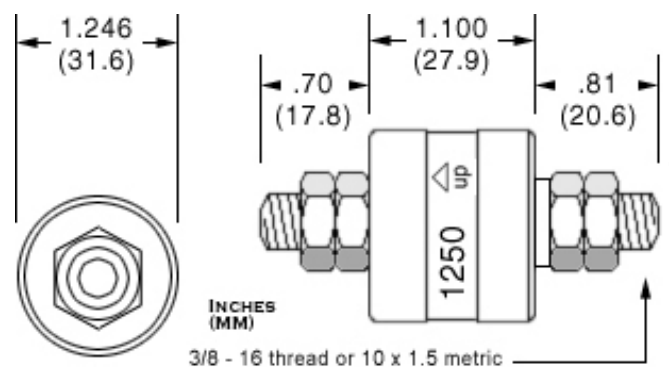
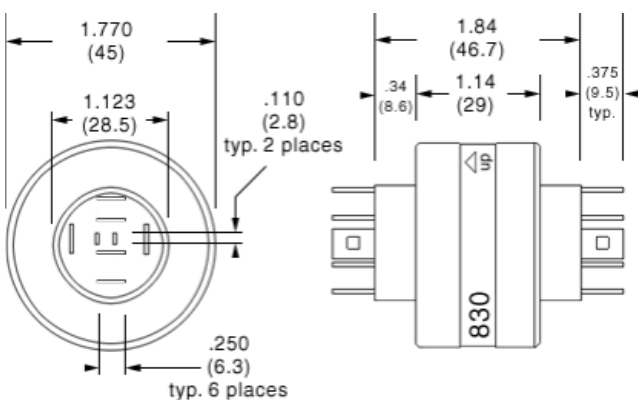
430

435



630

830



1250